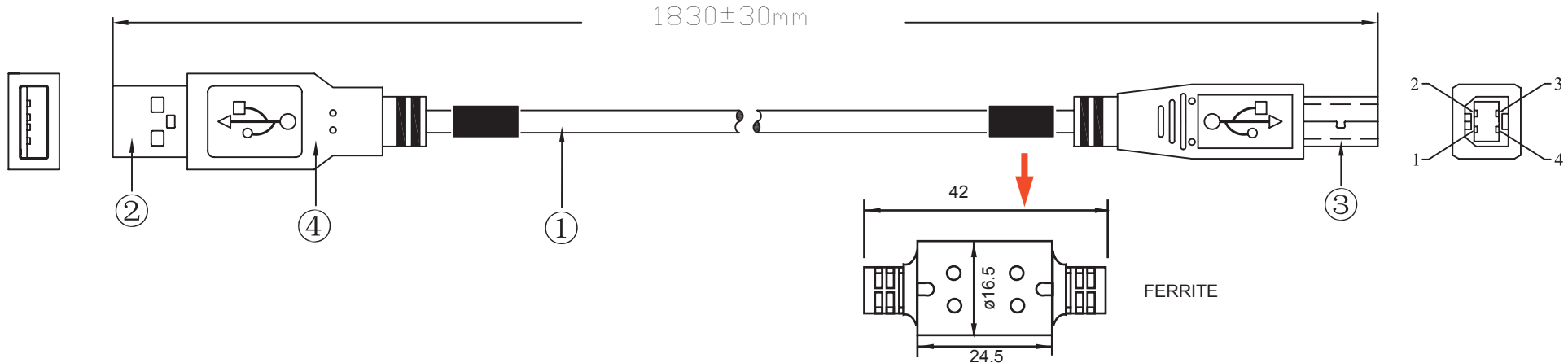


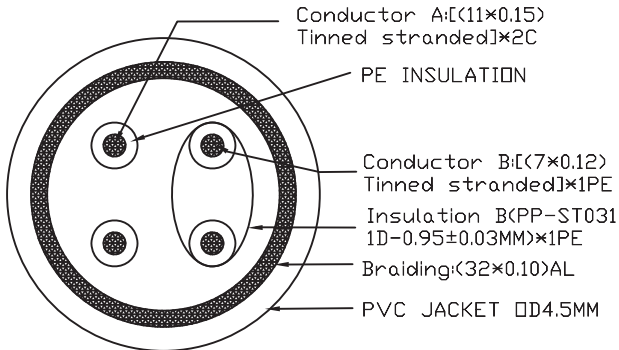
REV.	Description	Date
A		
B		06-2009



Pin Assignment

USBM(A)	COLOR	USBM(B)
1	RED	1
2	WHITE	2
3	GREEN	3
4	BLACK	4
SHELL BRAID		SHELL

Cross Section



NOTE:

- 1.ELECTRICAL TEST:
 - <1>.100% OPEN SHORT & MISS WIRE TEST.
 - <2>.Min.INSULATION RESISTANCE:Min.DC300V 2Mohm.
 - <3>.Max.CONDUCTOR RESISTANCE: 10ohm.

Part No.	Cable Length
C161-01-AmBm	1.8M

4	MOLDED: 45P PVC BLACK	Item Number	C161-01-AmBm Cable			Drawer	Cheryl Cao
3	CONNECTOR:USB2.0 B MALE SOLDER TYPE(THREE-PIECE), INSULATOR:WHITE, PIN:G/F, SHELL:GOLD PLATED	Description	USB2.0 AM/BM			Checked	
2	CONNECTOR:USB2.0 A MALE SOLDER TYPE MALE(THREE-PIECE), INSULATOR:WHITE, PIN:G/F, SHELL:GOLD PLATED	Material		Scale	1:1	Approved	
1	CABLE:28AWG/1P(7/0.12BC)*24AWG/2c(11/0.15BC)+AEB48, OUTER JACKET: PVC BLACK, OD:4.5MM		A	Unit	MM		
NO.	Specifications	Drawing No:					
	Bom list	Remake	ROHS Compliant				