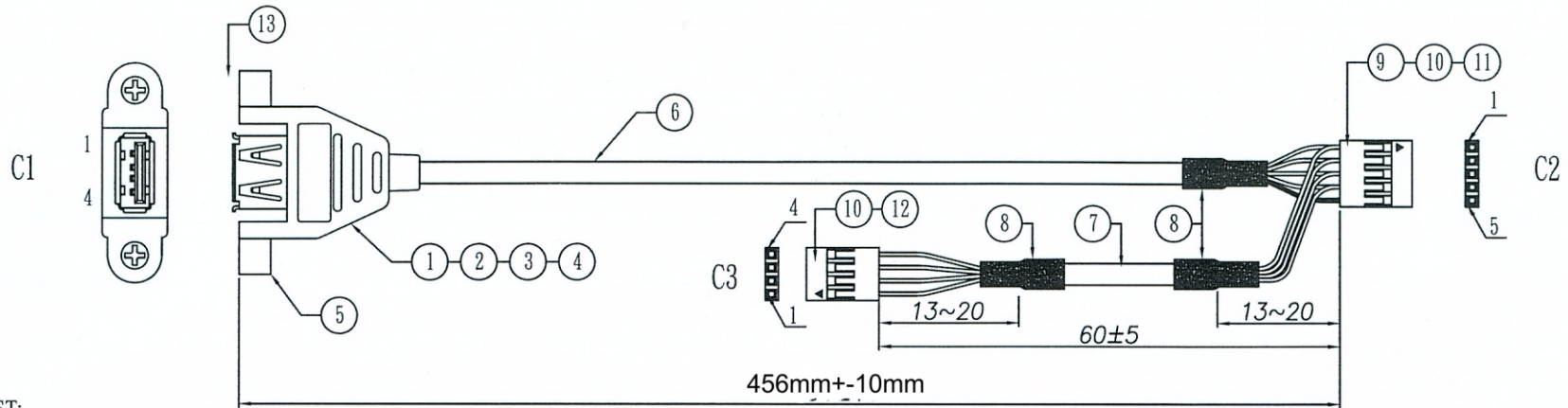


ROHS-3



ELECTRICAL TEST:

1. 100% OPEN SHORT & MIS WIRE TEST
2. CONTACT RESISTANCE: 2 OHM (MAX)
3. INSULATION RESISTANCE: 10M OHM (MIN)
4. HI-POT TEST: DC:300V/10m

PIN ASSIGNMENT

C1	C2	C3
1	1	1
2	2	2
3	3	3
4	4	4
SHELL	5	

13	十字型螺絲 M3.0 L:10mm 全牙螺絲 鍍鎳
12	HOUSING 4P PITCH:2.54 COLOR:BLACK
11	HEAT SHRINK TUBE OD:1.0 L:30mm
10	TERMINAL GOLD FLASH
9	HOUSING 5P PITCH:2.54 COLOR:BLACK
8	HEAT SHRINK TUBE OD:5.0 L:17mm
7	UL2725 28#1P+24#2C AEB OD:4.7 WHITE(930) L:75mm
6	UL2725 28#1P+24#2C AEB OD:4.7 WHITE(930) L: 450mm
5	螺母 M3.0 L:2.0mm 鍍鎳
4	LD PE 7144 透明
3	PVC 56P COLOR:WHITE(930)
2	HEAT SHRINK TUBE OD:1.0 L:8mm
1	USB A TYPE 4P FEMALE PIN GOLD FLASH 白膠心 SOLDER TYPE

NO	DESCRIPTION
----	-------------

UNIT (mm) .0 ±0.30 .00 ±0.15 .000 ±0.10 ANGLE: ±1°	DIM. CLASS <input type="checkbox"/> CRITICAL <input checked="" type="checkbox"/> MAJOR <input type="checkbox"/> REF.	PART NAME	
		USB A TYPE FEMALE TO HOUSING 5P	
3RD ANGLE'S		PART NO.	
DRAW Grace		CHECK LUCK	APPROVE JAMES
06/12/2021			
DRAWING NO. 70495		SCALE 51	SHEET 1/1 REV. A